

Note:

1. Material:

\* Insulation: NY10T+30%G.F. UL94 V-0

\* Contact: Phosphor Bronze

2. For Lead Free Wave flow Process

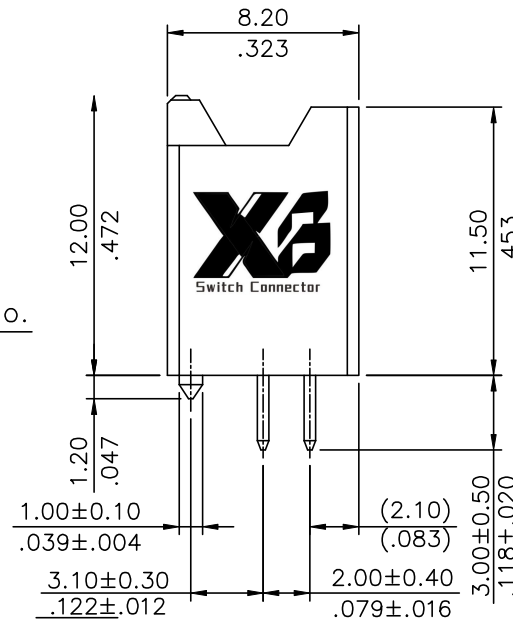
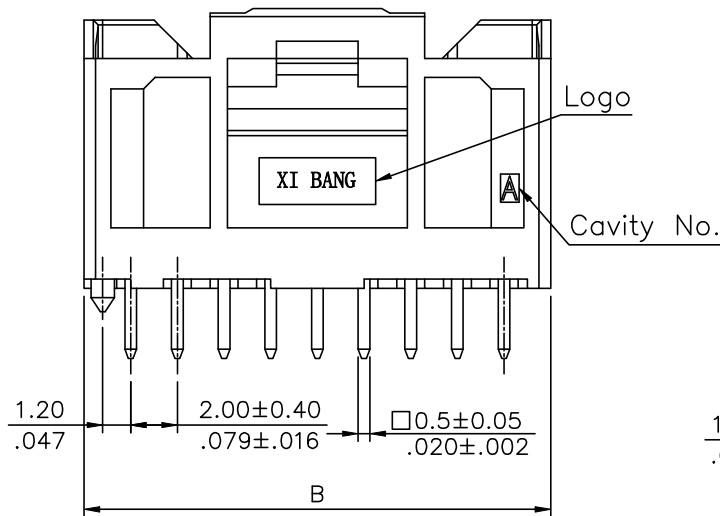
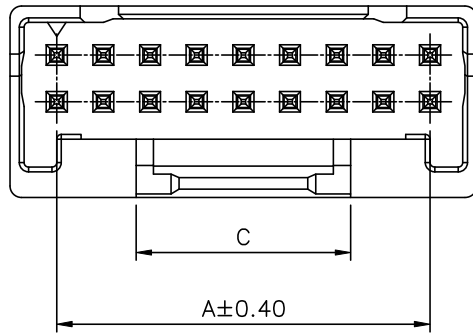
Dim.A= (Circuit/2-1) x 2.00

Dim.B= Dim.A + 4.00

Dim.C= 10PIN: 7.3

12~34PIN: 9.2

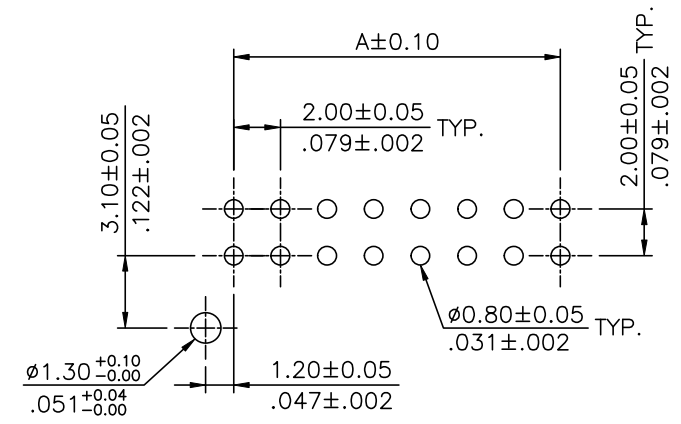
\*Available in 10~34 circuits



Ordering Code:

CIEW \*\* P 1 V D 0 - NH  
 ① ② ③ ④ ⑤ ⑥ ⑦ ⑧

- ① Series No.
- ② No. of Circuits
- ③ Contact type: P= Pin Header
- ④ Plating option:  
1= Tin over Nickel
- ⑤ Type: V= Straight
- ⑥ Row Option: D= Dual row
- ⑦ Other Option:  
0= Color Nature
- ⑧ -NH= For Lead Free Wave flow Process and Halogen-Free



Recommended P.C. Board Layout  
 PCB Thickness t=1.2~1.6

Lead Free Process

Halogen-Free

RoHS Compliant

4					DATE	UNIT: mm / inch	TITLE:
3				DRAWN BY:	Eric	1/11-24'	2.00mm PIN HEADER DIP TYPE
2				ENGINEER:	Eric	1/11-24'	MATERIAL:
5				CHECKED BY:	Eisley	1/11-24'	FINISH:
SYM	NAME	DATE	REVISIONS	APPROVED BY:	Eisley	1/11-24'	

TOLERANCE UNLESS OTHERWISE SPECIFIED	
.X ± 0.30/.012	X' ± 1'
.XX ± 0.20/.008	.X' ±
.XXX ± 0.10/.004	.XX' ±

<b>东莞市溪榜电子有限公司</b> DONG GUAN XI BANG ELECTRONICS CO., LTD.			
DRAWING NO.	CIEWO1SA	PART NO.	CIEW**P1VD0-NH
SCALE	3 / 1	SHEET	1 OF 1

Note:

1. Material:

\* Insulation: LCP+30%G.F. UL94 V-0

\* Contact: Phosphor Bronze

2. For Lead Free Wave flow Process

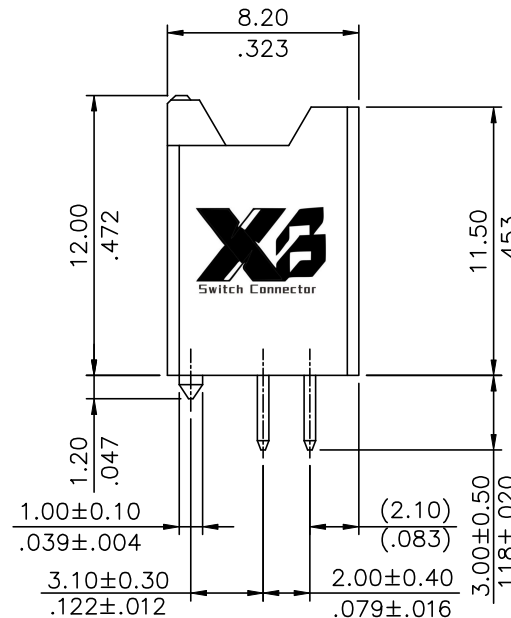
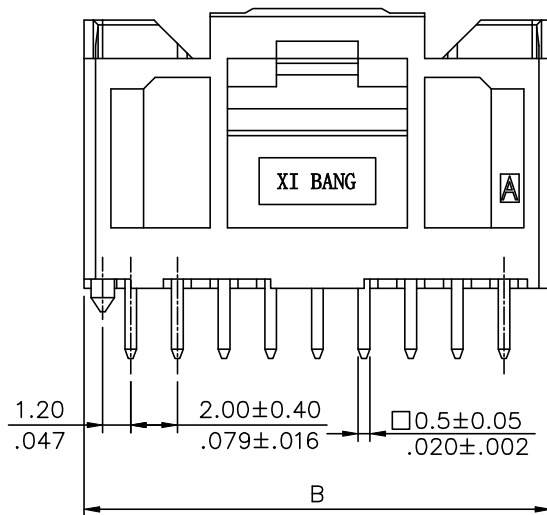
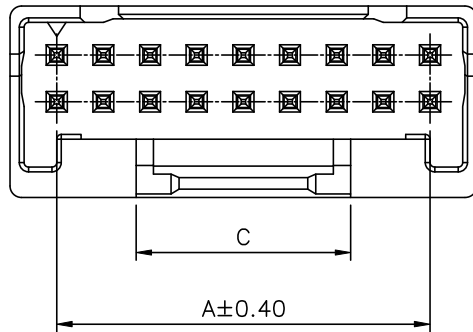
Dim.A= (Circuit/2-1) x 2.00

Dim.B= Dim.A + 4.00

Dim.C= 10PIN: 7.3

12~34PIN: 9.2

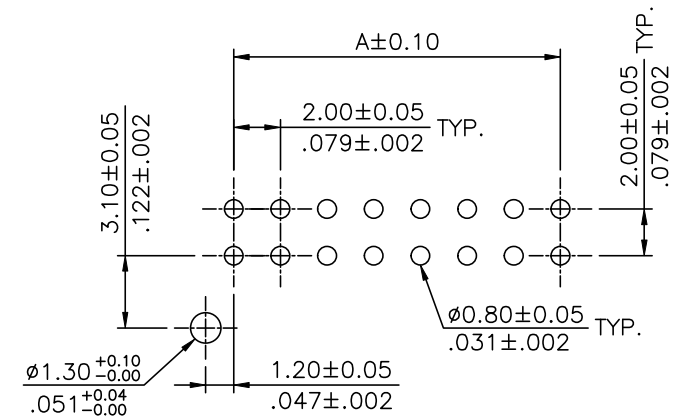
\*Available in 10~34 circuits



Ordering Code:

CIEW \*\* P 1 V D L - NH  
 ① ② ③ ④ ⑤ ⑥ ⑦ ⑧

- ① Series No.
- ② No. of Circuits
- ③ Contact type: P= Pin Header
- ④ Plating option:  
1= Tin over Nickel
- ⑤ Type: V= Straight
- ⑥ Row Option: D= Dual row
- ⑦ Other Option:  
L= LCP+30%G.F. Color Nature
- ⑧ -NH= For Lead Free Wave flow Process and Halogen-Free



Recommended P.C. Board Layout  
 PCB Thickness t=1.2~1.6

Lead Free Process

Halogen-Free

RoHS Compliant

4					DATE	UNIT: mm / inch	TITLE:
3				DRAWN BY: Eric	1/11-24'	TOLERANCE UNLESS OTHERWISE SPECIFIED	2.00mm PIN HEADER DIP TYPE
2				ENGINEER: Eric	1/11-24'	.X ± 0.30/.012 X' ± 1'	MATERIAL:
5				CHECKED BY: Easley	1/11-24'	.XX ± 0.20/.008 X' ±	FINISH:
SYM	NAME	DATE	REVISIONS	APPROVED BY: Easley	1/11-24'	.XXX ± 0.10/.004 XX' ±	

**XB** 东莞市溪榜电子有限公司  
 Switch Connector DONG GUAN XI BANG ELECTRONICS CO., LTD.

DRAWING NO.	CIEWO5SA	PART NO.	CIEW**P1VDL-NH
SCALE	3 / 1	SHEET	1 OF 1